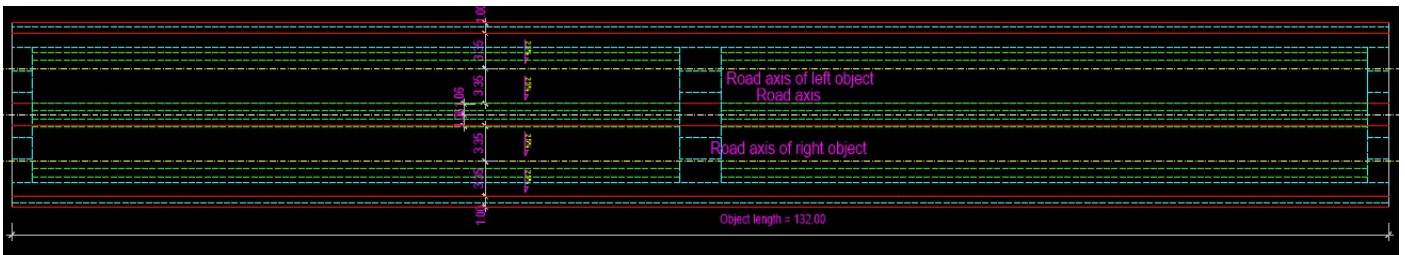


## **MODULE BRIDGE**

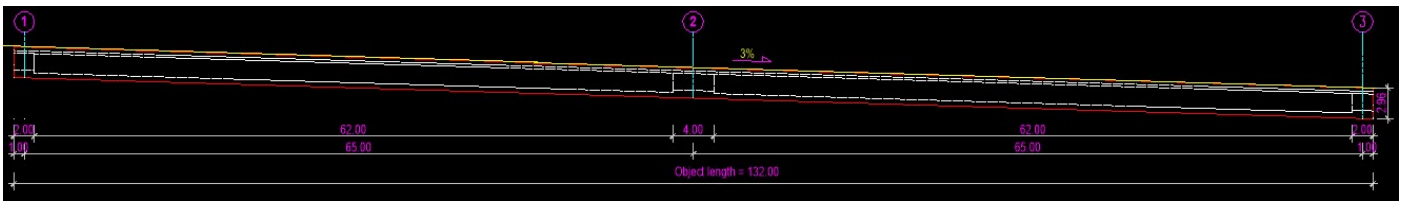
## Input dates

Road dates are the same as in Example 2. Object is hollow construction with two different openings (pillars and fields), equal transverse inclinations on whole length and any number of nodes.

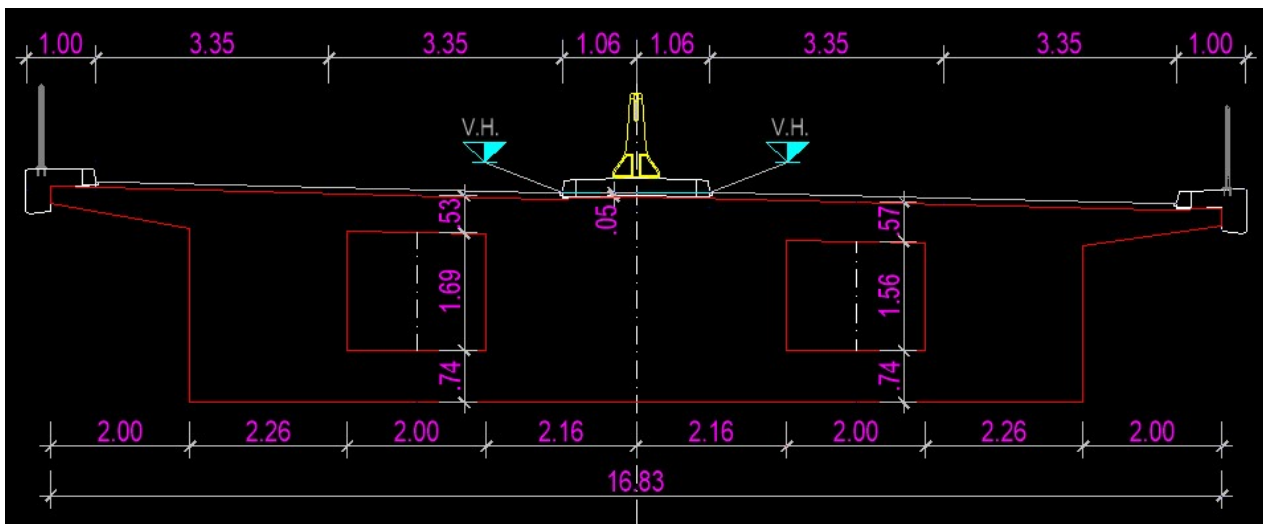
## Object ground floor



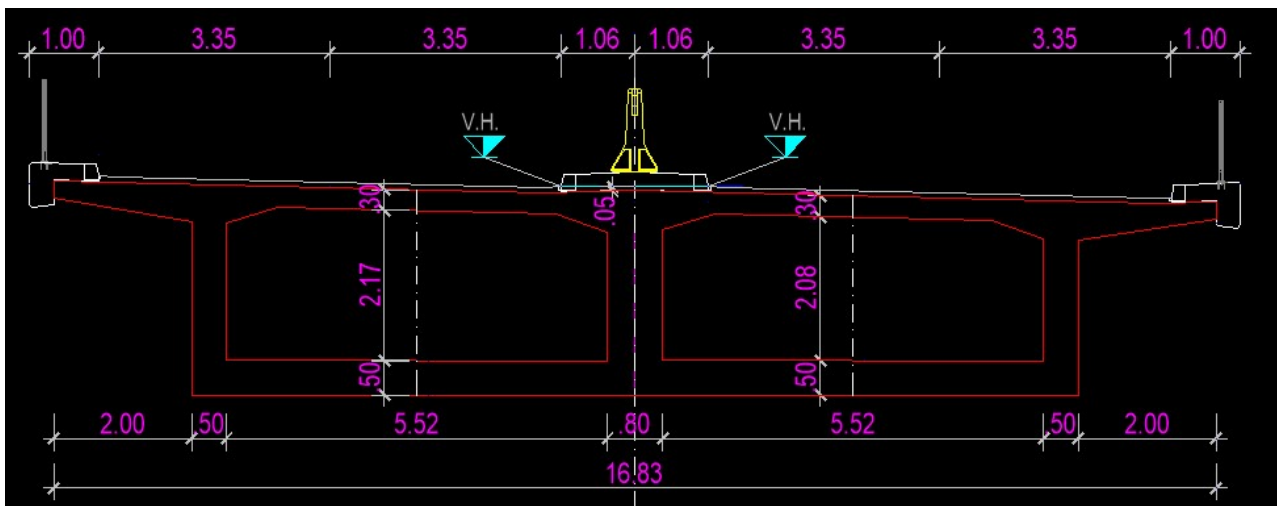
## Object longitudinal section



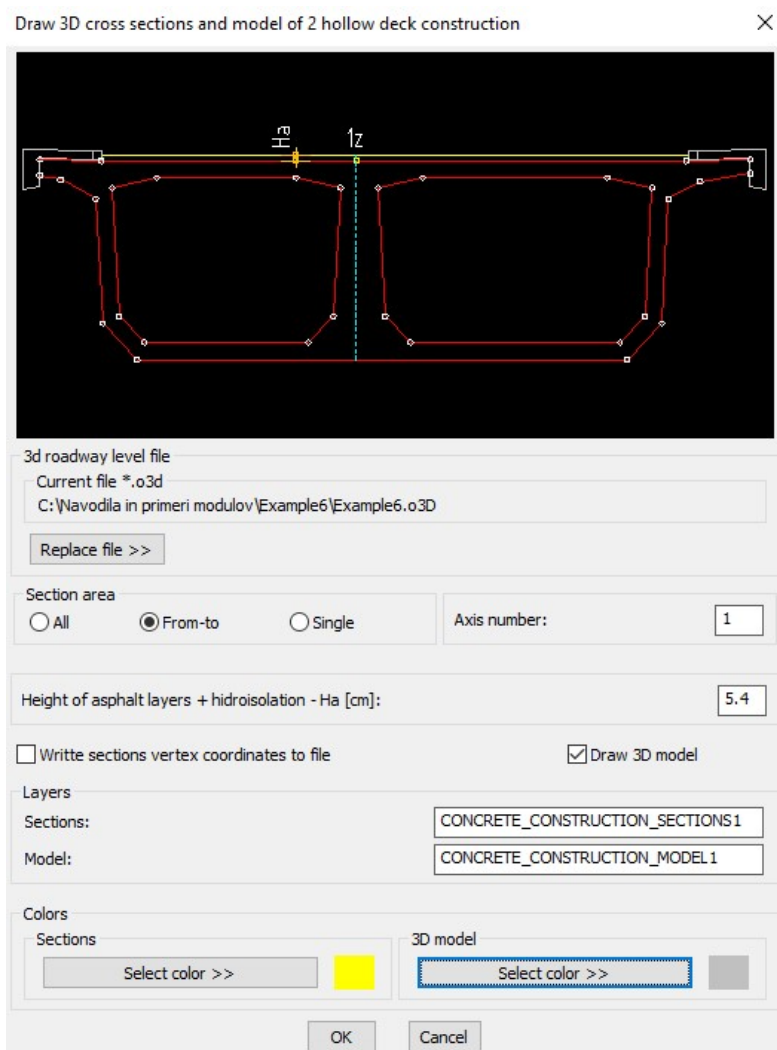
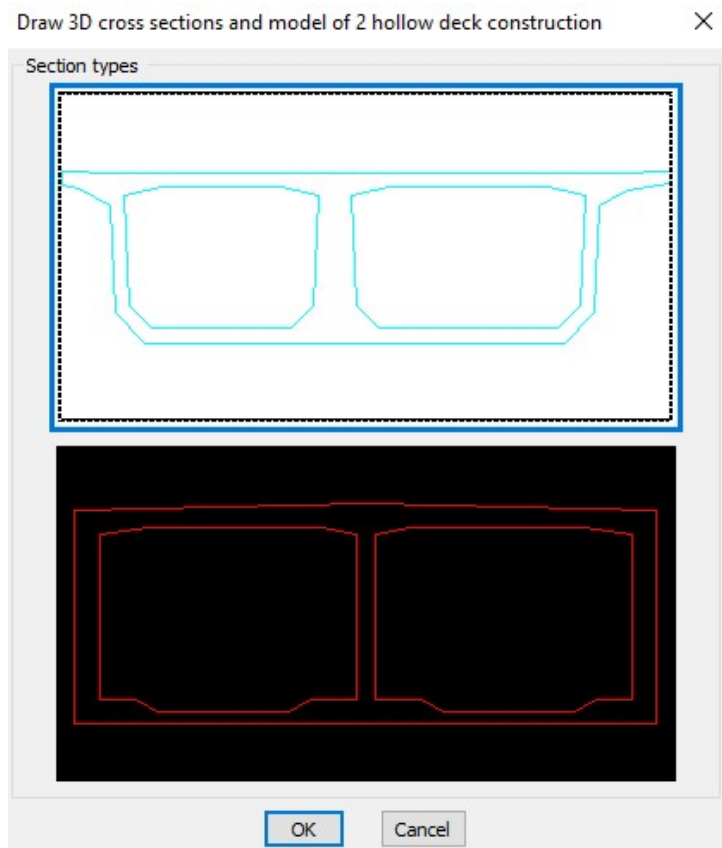
## Cross section in pillars



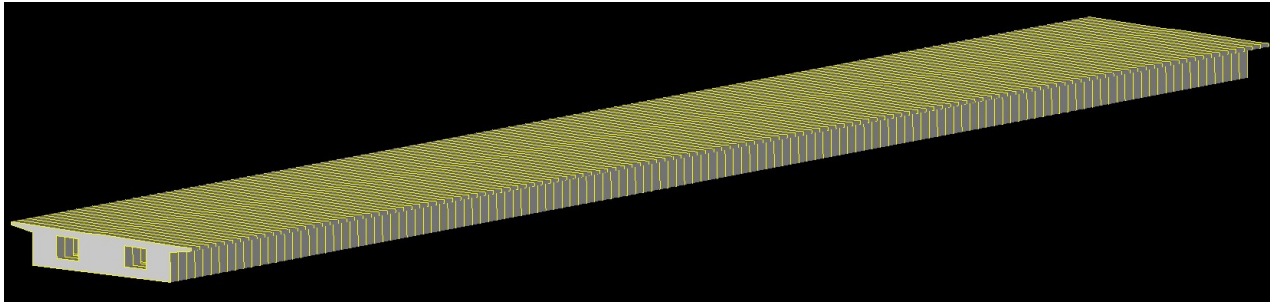
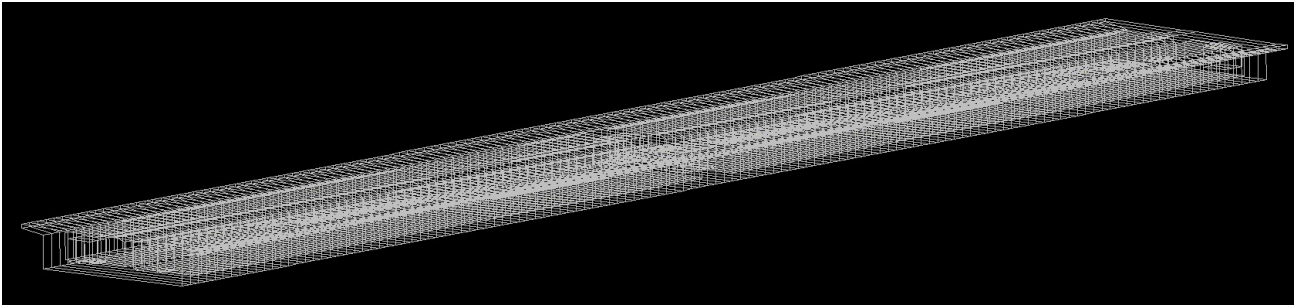
## Cross section in field



- Draw 3d cross sections and model of construction with two holles



## 3d model



- Draw 3d cross sections in optional model

Draw 3D cross sections from optional model ✕

3d roadway level file

Current file \*.o3d  
C:\Navodila in primeri modulov\Example6\Example6.o3D

Replace file >>

Processing area

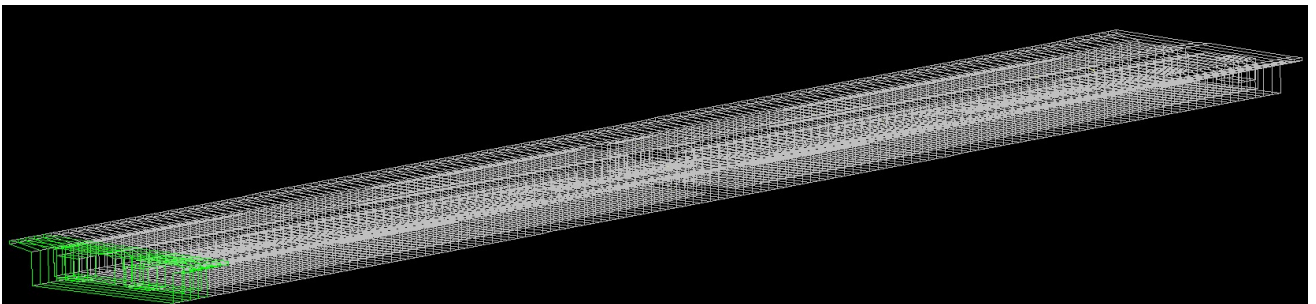
All  From-to  Single

Section color

Select color >> ■

Element mark:  Axis number:

OK Cancel



- Drawing 2d cross sections from optional model

