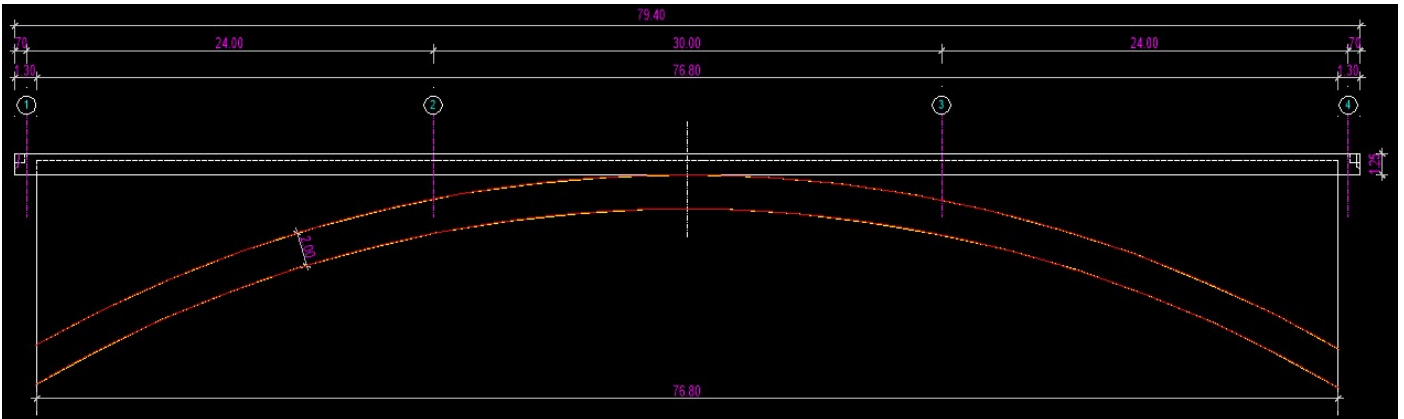


## **MODULE BRIDGE**

## Input dates

Dates for road and object are the same as for Example 1. Arcs construction is added to object.

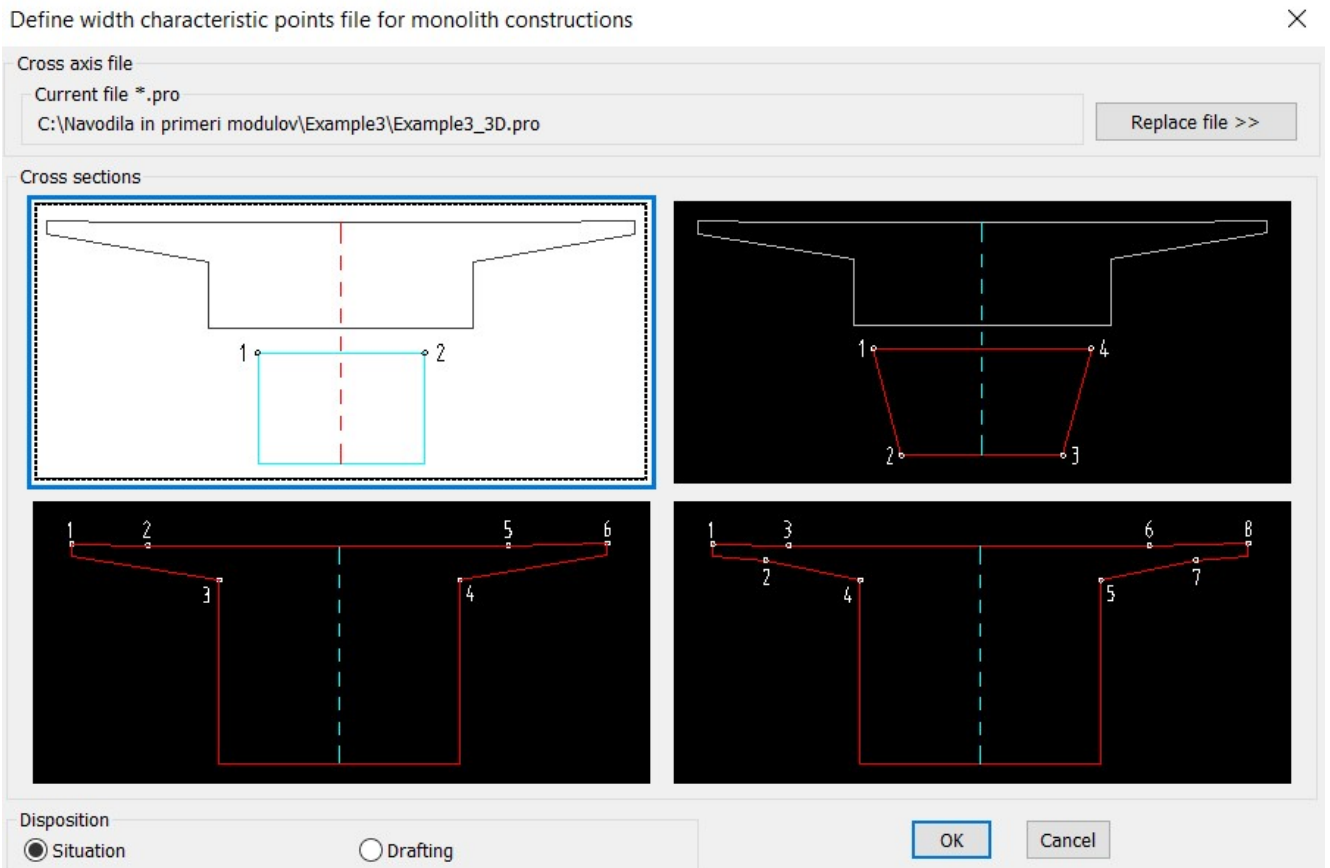
## Longitudinal section in object axis

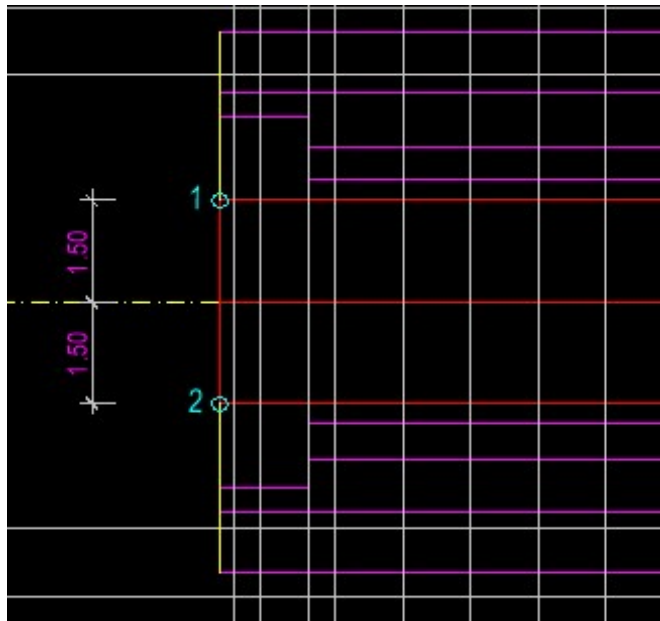


## Ground floor

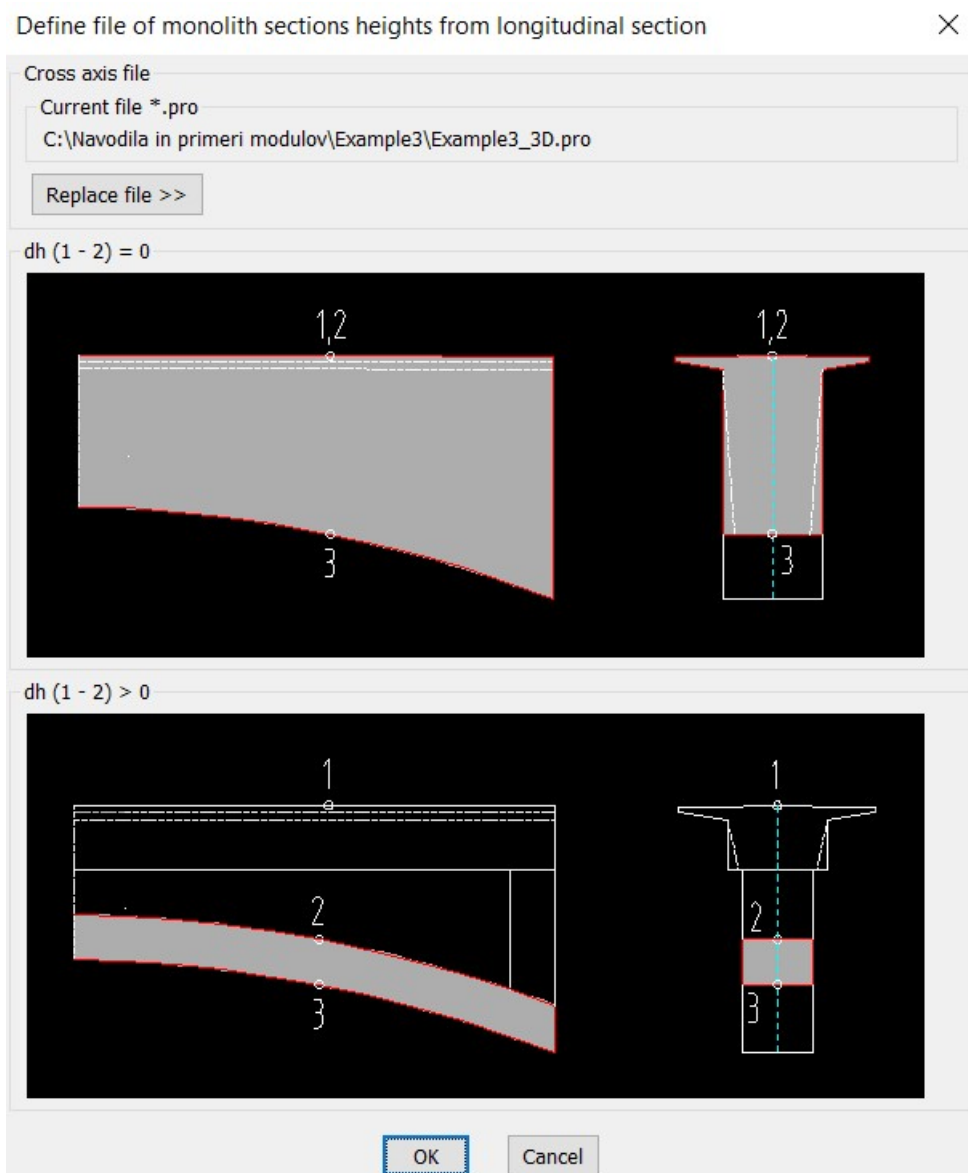


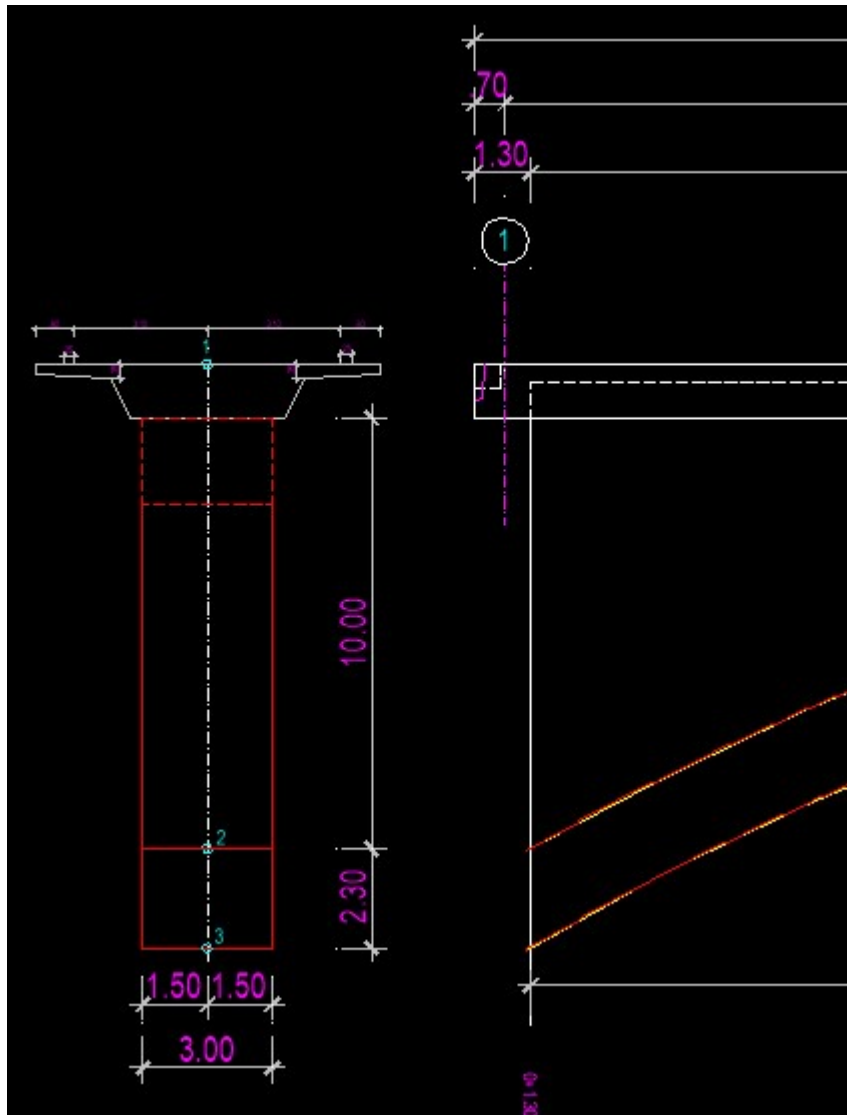
- Define file of construction widths



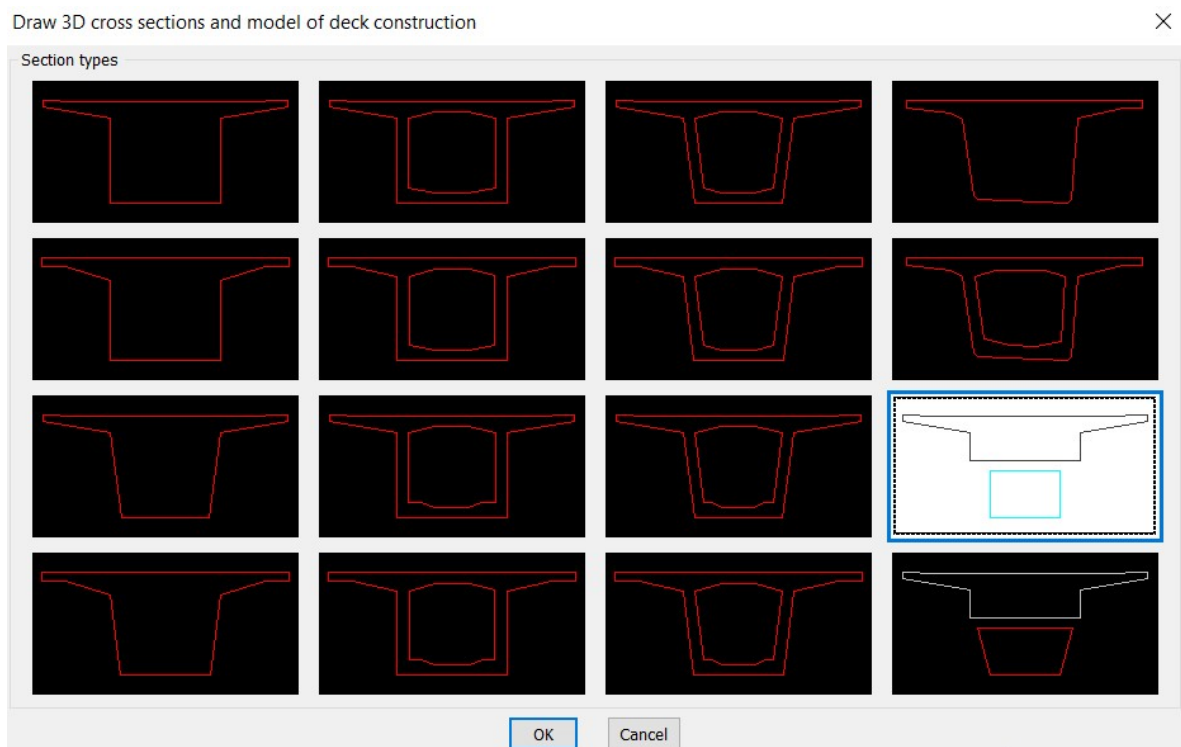


- Define file of construction heights





- Drawing 3d cross sections and model of construction



3d roadway level file

Current file \*.o3d  
C:\Navodila in primeri modulov\Example3\Example3\_1.o3D

Replace file >>

Roadway file

Current file \*.voz  
C:\Navodila in primeri modulov\Example3\Example3\_1.voz

Replace file >>

Monolith sections heights file of construction

Current file \*.vmk  
C:\Navodila in primeri modulov\Example3\Example3\_1.vmk

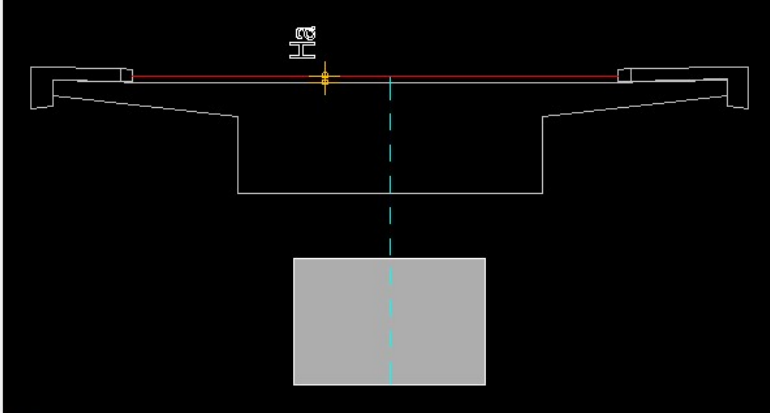
Replace file >>

Monolith sections widths file of construction

Current file \*.smk  
C:\Navodila in primeri modulov\Example3\Example3\_1.smk

Replace file >>

OK Cancel



Section area

All  From-to  Single

Axis number:

Height of asphalt layers + hidroisolation - Ha [cm]:

Top border of deck construction

Horizontal

Under road gradient

Under gradient

Gradient in [%]

Bottom border of deck construction

Horizontal

Under road gradient

Under gradient

Gradient in [%]

Draw 3D model  Write sections vertex coordinates to file  Draw as sketch

Layers

Sections:

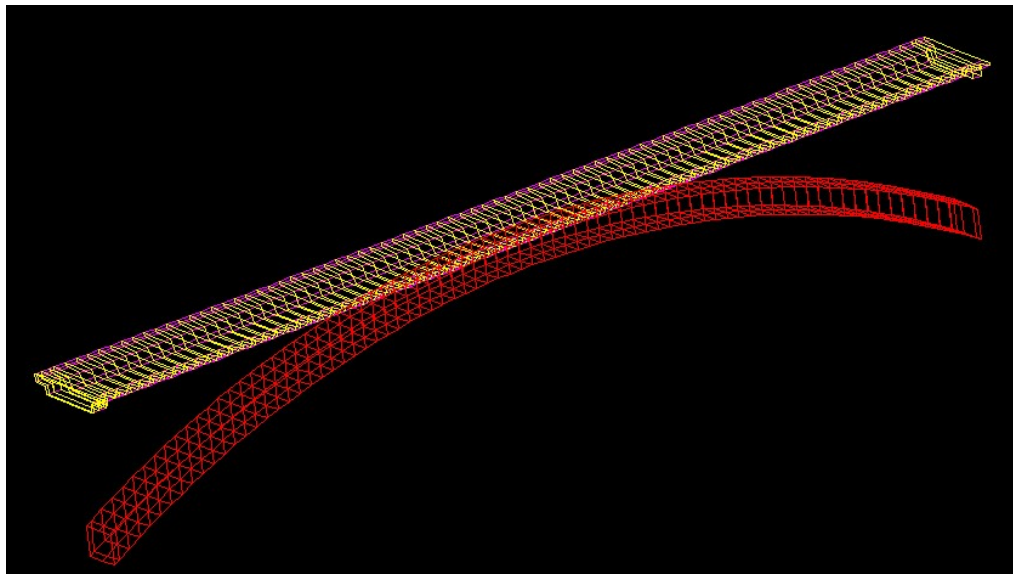
Model:

Colors

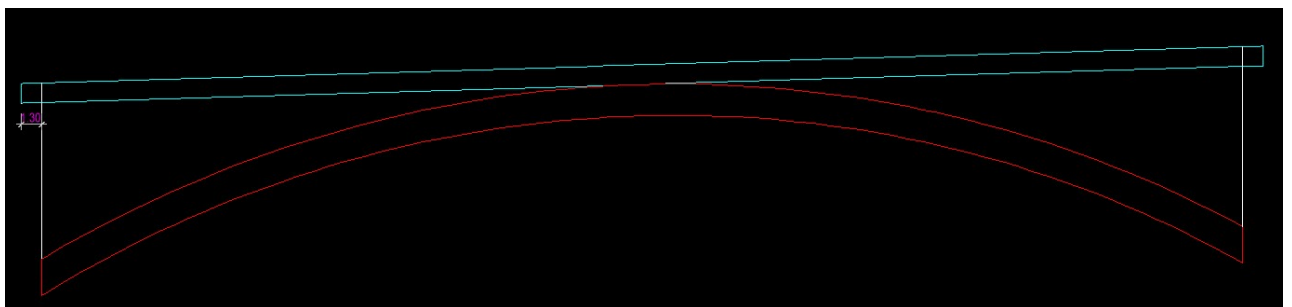
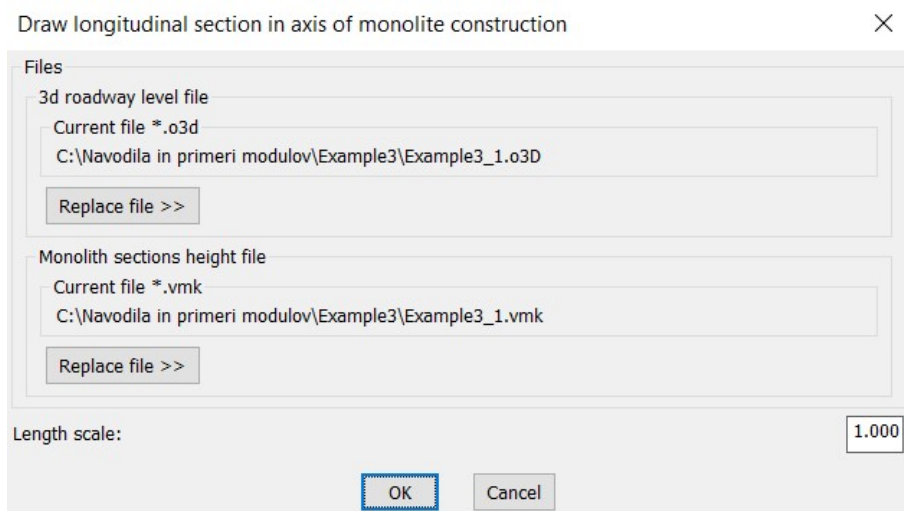
Sections

3D model

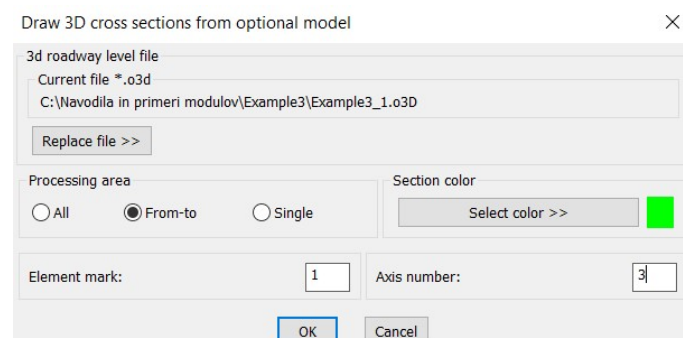
OK Cancel

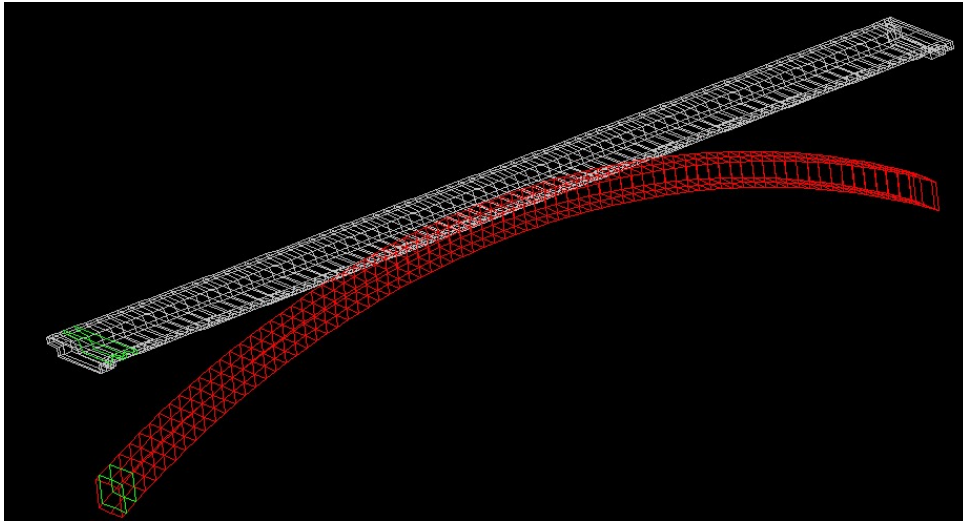


- Draw longitudinal section in axis of monolite construction



- Draw 3d cross sections from optional model





- Draw 2d cross sections of optional model

Draw 2D cross sections of optional deck construction

3d roadway level file  
 Current file \*.o3d  
 C:\Navodila in primeri modulov\Example3\Example3\_1.o3D  
 Replace file >>

Sections  
 Section insertion direction  
 Horizontal  Vertical  
 Draw only sections  
 Axis number: 3  
 Element number: 1  
 Sections drawing step: 1  
 Distance between sections [m]: 12.0  
 Axis length [m]: 1.3

Views  
 Views width [m]: 10.0  
 Views height [m]: 7.0

Colors  
 Section text marks  
 Select color >> [White]  
 Elevation marks symbol  
 Select color >> [Blue]  
 Elevation marks text  
 Select color >> [Blue]  
 Axis  
 Select color >> [Red]

OK Cancel

